

ST 060 113 4809



- slide-on rosettes Ø 70 mm
- gauge 150 mm - 13 mm
- 3/8" shower outlet
- with volume control

	Chrome	ST 060 113 4809-00
	Brushed Platinum	ST 060 113 4809-06
	Platinum	ST 060 113 4809-08
	Dark Chrome	ST 060 113 4809-19
	Brushed Durabronze (23kt Gold)	ST 060 113 4809-28
	Brushed Bronze	ST 060 113 4809-42
	Brushed Champagne (22kt Gold)	ST 060 113 4809-46
	Champagne (22kt Gold)	ST 060 113 4809-47
	Brushed Dark Platinum	ST 060 113 4809-99

Individual components of this set

You need the following components for this set

1x 34 443 979-00



1x 11 431 809-00





VAIA Shower thermostat - Chrome

VAIA

ST 060 113 4809

ST 060 113 4809



- slide-on rosettes Ø 70 mm
- gauge 150 mm - 13 mm
- 3/8" shower outlet
- with volume control

Intrinsic protection against back flow.

Intrinsic protection against back flow.

	Chrome	34 443 979-00
	Brushed Platinum	34 443 979-06
	Platinum	34 443 979-08
	Dark Chrome	34 443 979-19
	Brushed Durabross (23kt Gold)	34 443 979-28
	Matte Black	34 443 979-33
	Brushed Champagne (22kt Gold)	34 443 979-46
	Champagne (22kt Gold)	34 443 979-47
	Brushed Chrome	34 443 979-93
	Brushed Dark Platinum	34 443 979-99

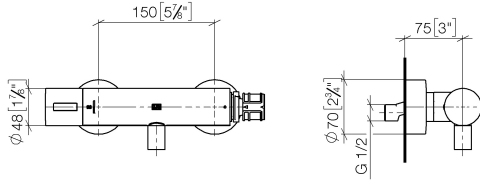
Required miscellaneous

TARA Regulator handle - Chrome 11 431 892-00

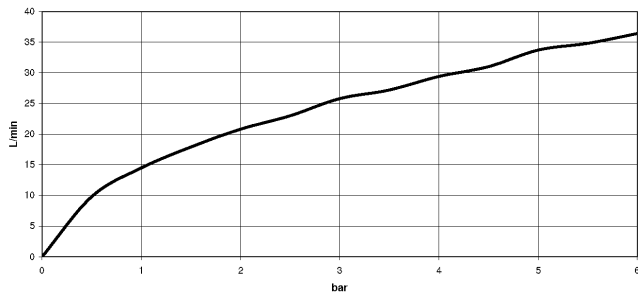


ST 060 113 4809

mm [inches]



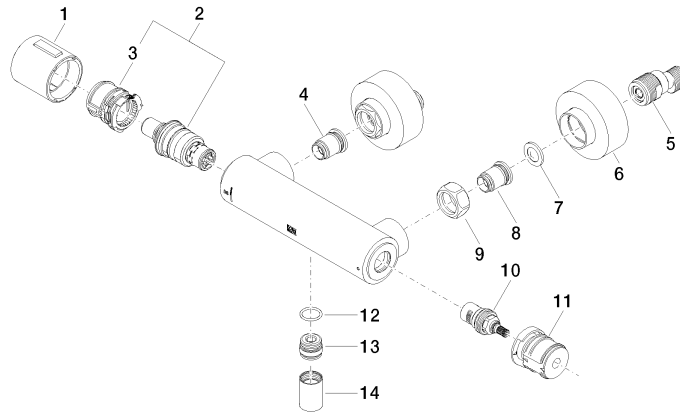
Flow rate chart



Certificates

Belgaqua_22_281_2 LGA_29986.
7_5.

WRAS_2204005.



Spare parts list

No.	Item Number	Name	Quantity used	Delivery time
1	90 17 33 015 00-00	handle	1	10
2	90 15 02 070 00 90	cartridge	1	2
3	90 30 40 010 00 90	regulator	1	2
4	04 31 20 530 00 90	insert	1	2
5	04 11 04 030 00 90	connection	2	2
6	90 31 20 512 00-00	rosette	2	2
7	09 29 30 050 90	sieve	2	2
8	04 31 20 540 00 90	insert	1	2
9	09 24 77 008-00	nut	2	10
10	90 90 03 236 00 90	top	1	2
11	90 30 40 017 00 90	base	1	2
12	90 14 10 010 00 90	seal	1	2
13	09 31 20 511-00	nipple	1	10
14	90 21 02 069 00-00	cover	1	10

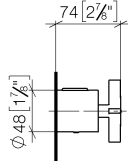
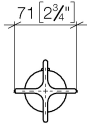
ST 060 113 4809



	Chrome	11 431 809-00
	Brushed Platinum	11 431 809-06
	Platinum	11 431 809-08
	Dark Chrome	11 431 809-19
	Brushed Durabronze (23kt Gold)	11 431 809-28
	Brushed Bronze	11 431 809-42
	Brushed Champagne (22kt Gold)	11 431 809-46
	Champagne (22kt Gold)	11 431 809-47
	Brushed Dark Platinum	11 431 809-99

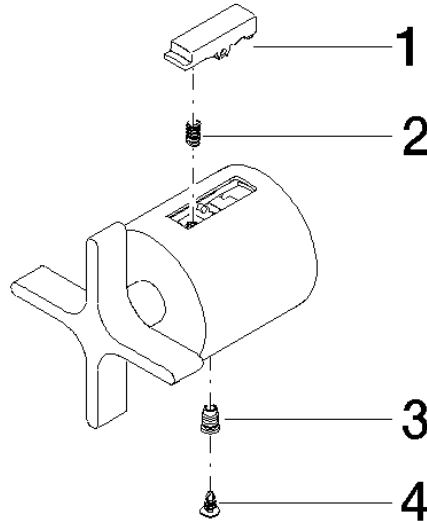
ST 060 113 4809

mm [inches]



ST 060 113 4809

Parts for other finishes can be found here: [Brushed](#)
[Platinum](#)



Spare parts list

No.	Item Number	Name	Quantity used	Delivery time
1	09 21 33 050 90	handle	1	2
2	90 16 02 027 00 90	spring	1	2
3	09 31 11 511 90	pin	1	2
4	09 31 20 521 90	plug	1	2